

CORE

Array LeS technology

TK CORE EN01 16-05
All rights reserved
Manufactured in Finland



SECURED EFFICIENCY LUMINAIRE FOR HAZARDOUS LOCATIONS CORE – DAYLIGHT *from* LeS

ATEX APPROVED LUMINAIRE

- Great efficiency up to 136 lm/W
- ATEX zone 1, 2

- II 2 GD Ex d IIC
- IP 67
- Flicker free
- Dimming 0–140 %
- Maintenance free
- Produces light, not heat
- 100 % recyclable

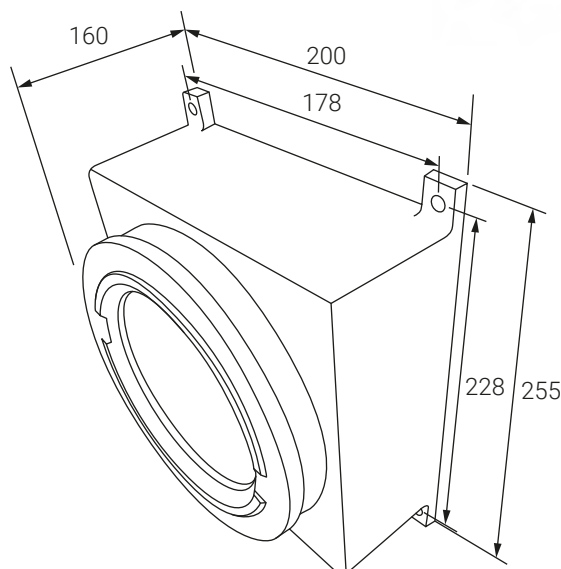


Array LeS innovation produces the best lighting on the market, amazing color rendering index and secures a lifespan of over 200 000 hours.

CORE is a very powerful Array LeS luminaire. It demonstrates all the outstanding features found in LumiTar luminaires: quality, efficiency, ecology and usability.

CORE has a copper-free aluminum enclosure, glass optics, versatile light distribution angle and dimming possibilities. These features combined with Array LeS technology's high light output from less power offers a cost-effective solution for the end-user.

CORE produces flicker-free light. We use custom-built power supply devices which have a lifespan of 100 000 hours and a broad voltage range, either VAC or VDC. Array LeS luminaires always ignite from zero level. They are fully dimmable with a control device from 0–100 (140) %.



Technical data, CORE

Technical data

Nominal power	W	22
Luminous flux	lm	3 000
Luminaire efficiency	lm /W	136
Color temperature / ANSI CCT	K	5000
Color rendering index CRI/Ra	Ra	85
Beam width	°	64
Energy efficiency class – Energy Star		AAA
Light chip lifespan	Years	25
	Hours	200 000

Luminaire control

Ignition time	ms	0.075
Control devices: 0–10 V, DMX, DALI		Yes

Mechanical data

Protection class		IP67
Luminaire weight	kg	7.5
Ambient working temperature, continuous	°C	-50... +60
Warranty	Years	2
Maintenance		Not needed
Cleaning – allows pressurized water/air	Max. bar	4
Ecology: Recyclable material	%	100

Materials and handling

Frame: die cast aluminum profile

Lense: tempered glass

Surface: powder coating