

STADI



	Model	Power (W)	Color temperature	CRI	Control	Mounting	Light distribution	IP-class	Color
STADI	L	40	3K 3000 K	85	A on/off	01 mounting yoke	S ME	21	1 RAL9010 white
	H	80	4K 4000 K	90	B 1-10 V	02 track	S	44	
		100	5K 5000 K	95	C DALI		S2	67	2 RAL9006 grey
		120		98	D DMX		M		3 RAL9005 black
					M2				
					W				
					W2				
						XW			
						XW2			
						S ME2			



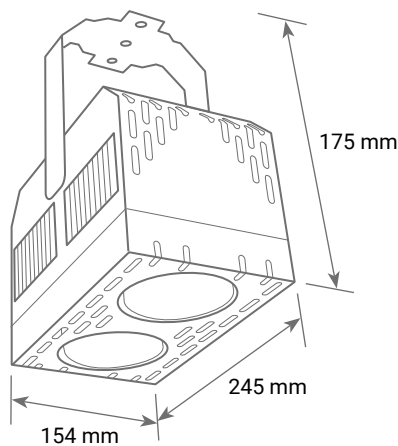
Twice The Attitude
Our Most Powerful Luminaire
For Sport Arenas and Industry



STADI was developed for high locations and demanding area lighting. Great heights and large open areas create challenging lighting environments. For these environments, STADI is the perfect solution.

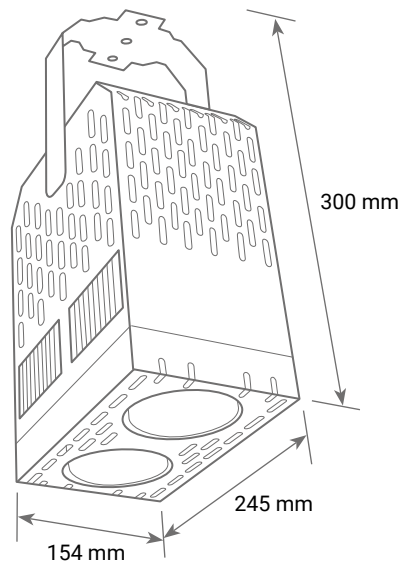
STADI L

Power supply is outside
the luminaire shell

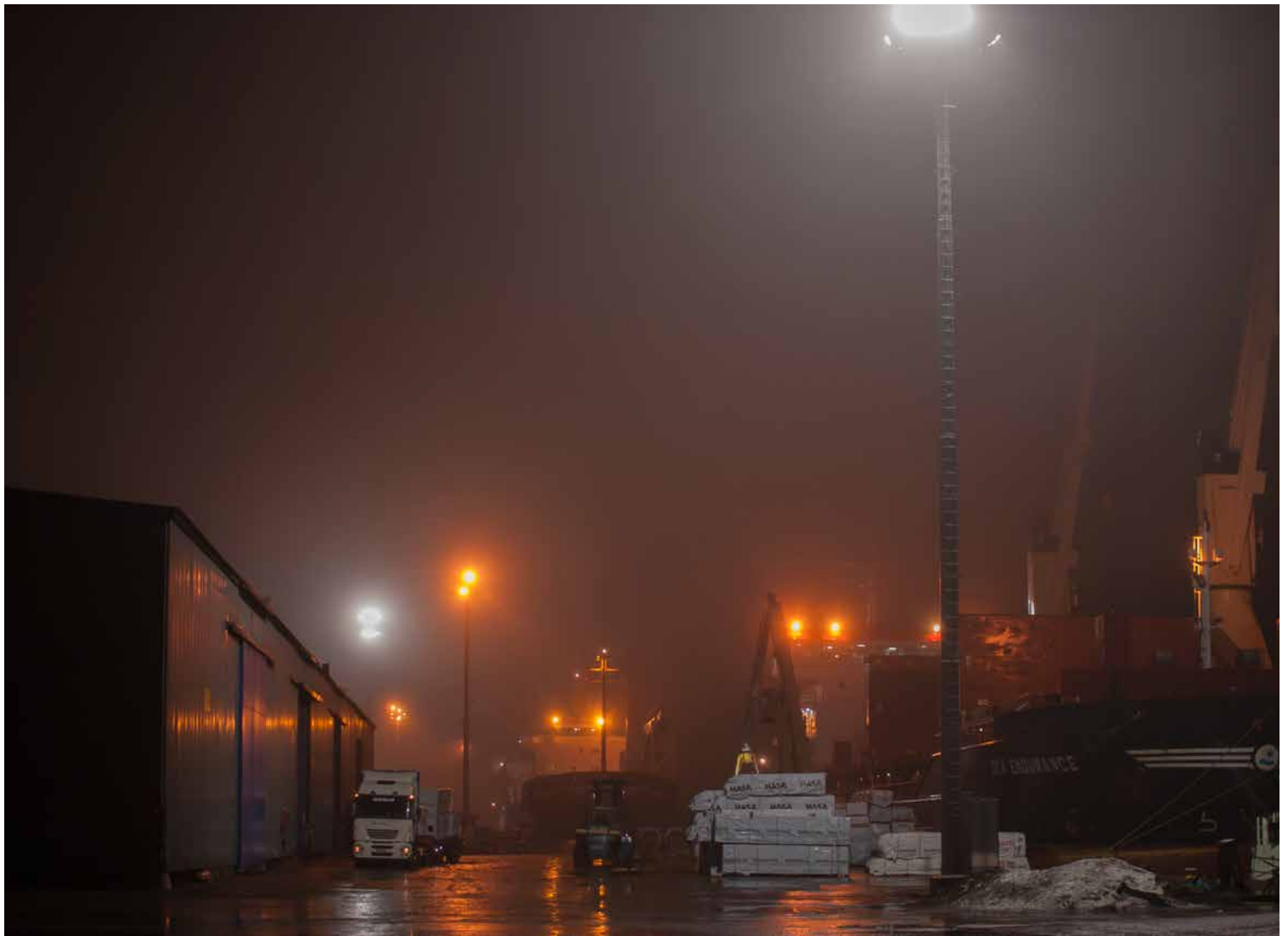
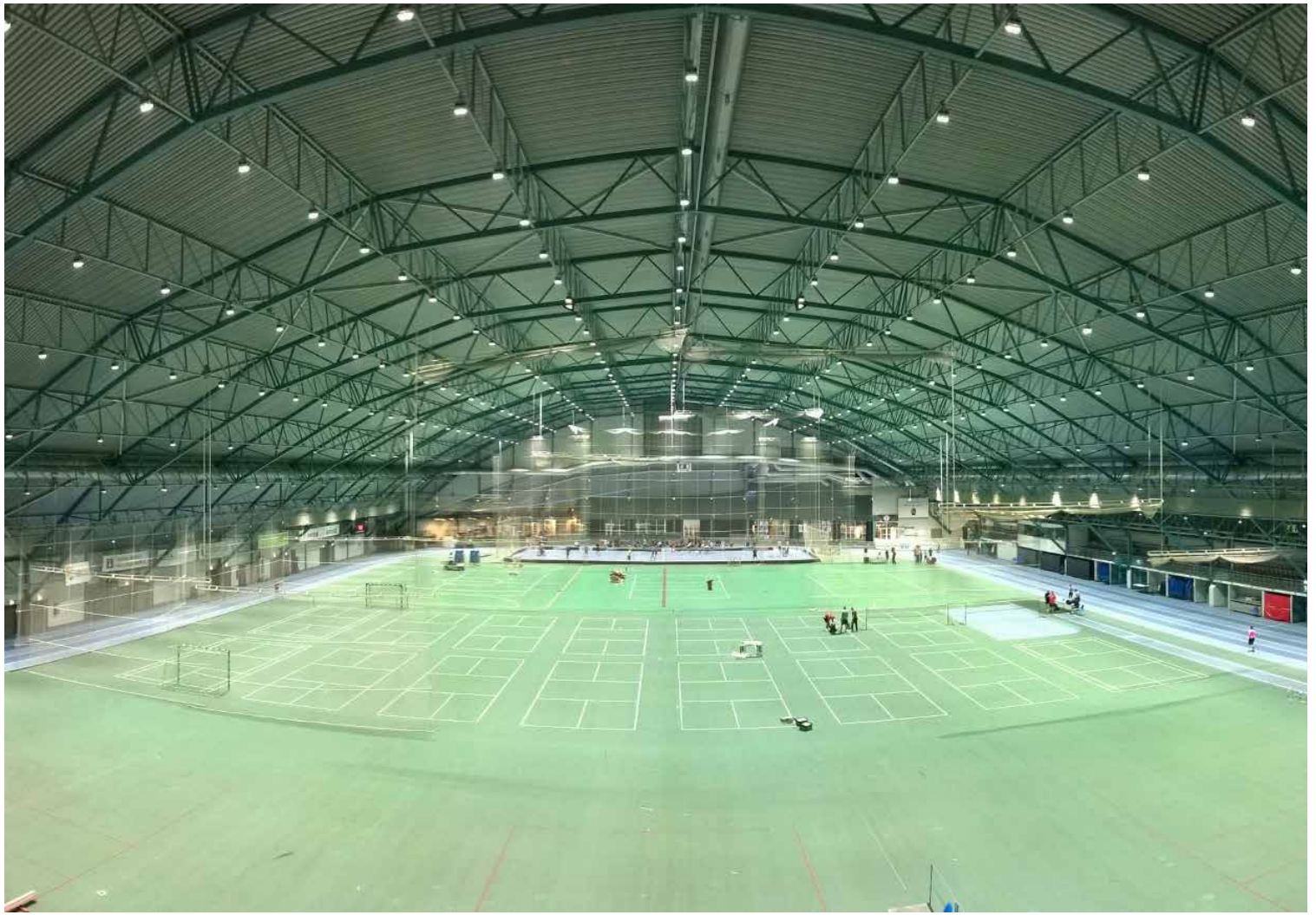


STADI H

Power supply is inside
the luminaire shell



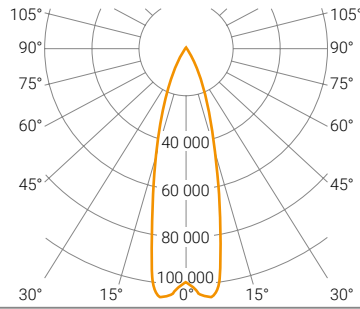
Technical data		168	200	240
Power	W	168	200	240
Luminous flux	lm	27 720	32 000	37 200
Luminaire efficiency	lm/W	165	160	155
Color temperature / ANSI CCT	K	5 000	5 000	5 000
Color rendering index CRI/Ra	Ra	85	85	85
Light chip / Array LeS module		2xBXRV-2.9	2xBXRV-2.9	2xBXRV-2.9
Light chip voltage	V DC	52.2	52.2	52.2
Energy efficiency class – Energy Star		AAA	AAA	AAA
Light chip lifespan	Years	25	25	25
	Hours	200 000	200 000	200 000
Luminaire control				
Luminaire reconnection	ms	0.075	0.075	0.075
Dimming	%	0–100	0–100	0–100
Manual control	V	0–10	0–10	0–10
Control devices: DMX, DALI, 0–10 V		Yes	Yes	Yes
Mechanical data				
Protection class		IP67	IP67	IP67
Ambient working temperature, continuous	°C	-42... +70	-42... +70	-42... +70
Ambient working temperature, short-term	°C	-45... +105	-45... +105	-45... +105
Warranty	Years	5	5	5
Maintenance free		Yes	Yes	Yes
Cleaning – allows pressurized water/air	Max bar	2	2	2
Ecology: Recyclable material	%	100	100	100
Installation				
Roof, wall, track		Yes	Yes	Yes
Power supply (electronic) class 2, MWHLG				
Luminaire current, 232 V AC	A	0.72	0.87	1.04
Efficiency	%	97.2	97.2	97.2
Voltage range / 50–60Hz	V AC	90–305	90–305	90–305
Power supply protection class		IP65/IP67	IP65/IP67	IP65/IP67
Power supply distance from luminaire	m	0–30	0–30	0–30
Accessories				
Extension cable		QPD C 3PE 2,5 2 Z6-10BK	QPD C 3PE 2,5 2 Z6-10BK	QPD C 3PE 2,5 2 Z6-10BK
Protection cup for optics / Protection cup IK Class		IK / IK10	IK / IK10	IK / IK10



Light Distribution STADI

STADI 200 W

Reflector S
32 000 lm

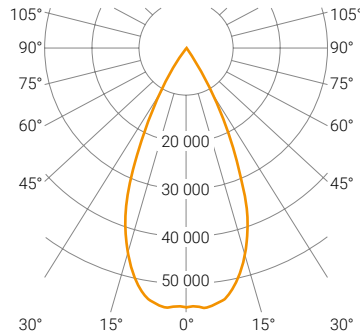


Cone diameter (m)

Illuminance (lx)

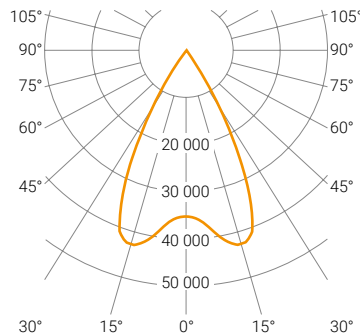
Distance (m)	Cone diameter (m)	0°	14.3°
0.50	.25	395 059	193 413
1.0	0.51	98 765	48 353
1.5	0.76	43 895	21 490
2.0	1.02	24 691	12 088
2.5	1.27	15 802	7 737
3.0	1.53	10 974	5 373

Reflector M
32 000 lm



Distance (m)	Cone diameter (m)	0°	23.7°
0.50	.44	220 531	85 840
1.0	0.88	55 133	21 460
1.5	1.32	24 503	9 538
2.0	1.76	13 783	5 365
2.5	2.19	8 821	3 434
3.0	2.63	6 126	2 384

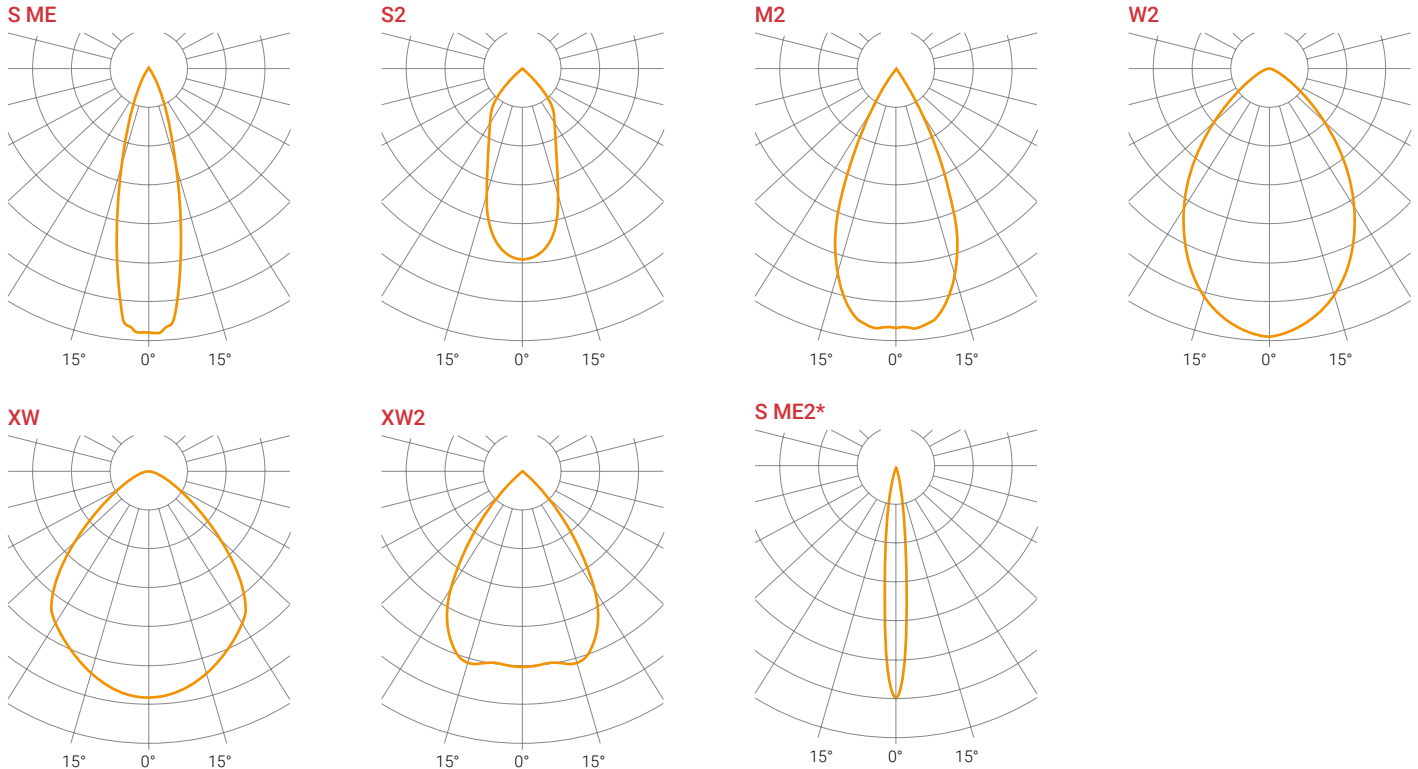
Reflector W
32 000 lm



Distance (m)	Cone diameter (m)	0°	27.7°
0.50	.53	141 645	59 744
1.0	1.05	35 411	14 936
1.5	1.58	15 738	6 638
2.0	2.10	8 853	3 734
2.5	2.63	5 666	2 390
3.0	3.15	3 935	1 660

Other reflector & lense options

We have the optimal light distribution for any application.



* This configuration alters luminaire visually



LumiTar Array Lighting
Technology Finland Oy
Hovioikeudenpuistikko 23
FI-65100 Vaasa, Finland
Tel. +358 45 178 0360

www.lumitar.fi

LumiTar™
ARRAY LIGHTING TECHNOLOGY FINLAND