

# XS20



	Model	Power (W)	Color temperature	Control	Mounting	Light distribution	IP-class	Color
XS20	IN internal power supply	625	3K 3000 K	A on/off	01 surface	XS20	21	1 RAL9010 white
	EX external power supply		4K 4000 K	B 1-10 V	02 pole		44	2 RAL9006 grey
			5K 5000 K	C DALI			67	3 RAL9005 black
				D DMX				



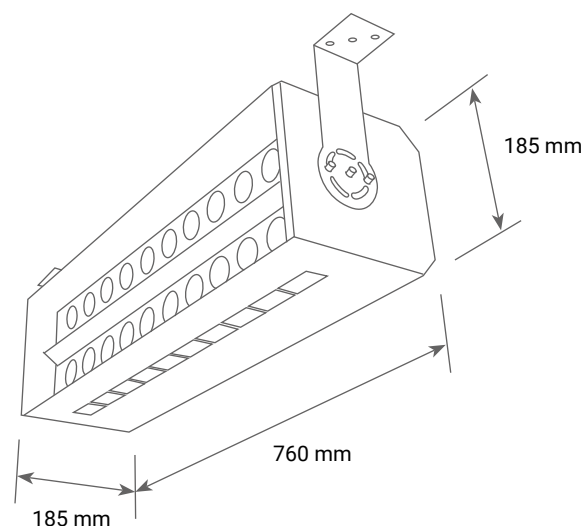
---

All or Nothing  
For Stadiums, Air Domes and Big Arenas

---



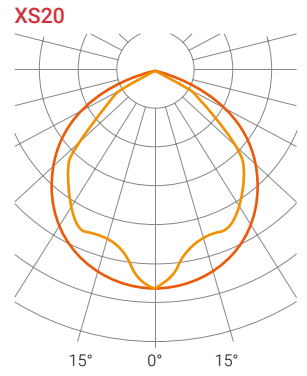
XS20 is a perfect fit for stadiums, air domes and arenas. This luminaire focuses on producing a lot of luminous mass to create even lighting by indirect beam.



<b>Technical data</b>		<b>XS20</b>
Power	W	625
Luminous flux	lm	88 579
Luminaire efficiency	lm/W	141
Color temperature / ANSI CCT	K	5 000
Color rendering index CRI/Ra	Ra	80–98.5
Light chip / Array LeS module		10x BXRV1.8
Light chip voltage	V DC	29.5
Energy efficiency class – Energy Star		AAA
Light chip lifespan	Years	25
	Hours	200 000
<b>Luminaire control</b>		
Luminaire reconnection	ms	0.075
Dimming	%	0–100
Manual control	V	0–10
Control devices: GSM, LAN, DMX, DALI		Yes
<b>Mechanical data</b>		
Protection class		IP67
Ambient working temperature, continuous	°C	-42... +70
Ambient working temperature, short-term	°C	-45... +105
Warranty	Years	5
Maintenance free		Yes
Cleaning – allows pressurized water/air	Max. bar	2
Ecology: Recyclable material	%	100
<b>Installation</b>		
Pole installation, diameter of the attachment	mm	50–60
<b>Power supply (electronic) class 2, MWHLG</b>		
Luminaire current, 232 V AC	A	0.37
Efficiency	%	97.2
Voltage range / 50–60Hz	V AC	90–305
Power supply protection class		IP20
Power supply distance from luminaire	m	0–20
<b>Accessories</b>		
Extension cable		QPD C 3PE 2,5 2x 6-10 BK
Protection cup for optics / Protection cup IK Class		IK / IK10



# Light Distribution XS20







LumiTar Array Lighting  
Technology Finland Oy  
Hovioikeudenpuistikko 23  
FI-65100 Vaasa, Finland  
Puh. +358 45 178 0360

[www.lumitar.fi](http://www.lumitar.fi)

*LumiTar*™  
ARRAY LIGHTING TECHNOLOGY FINLAND